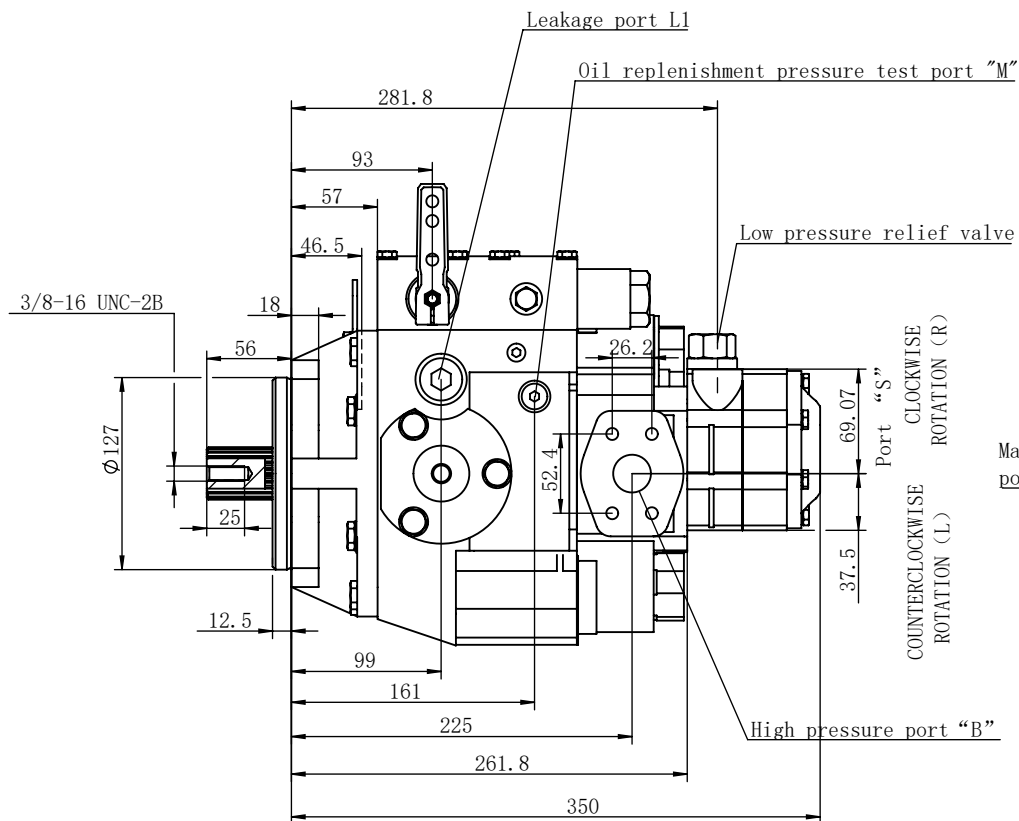
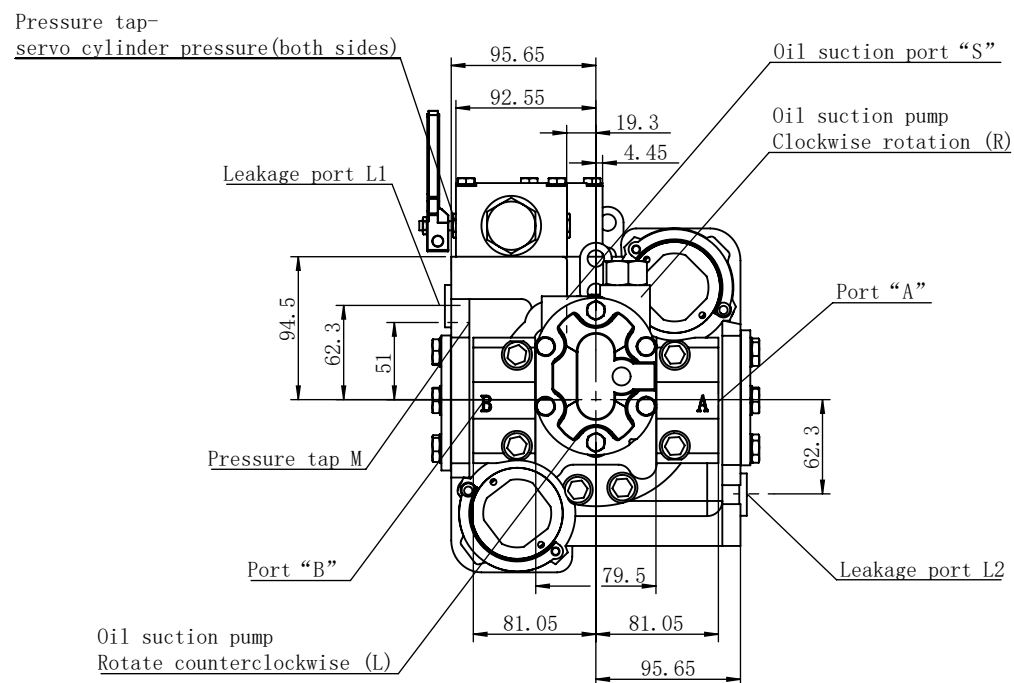
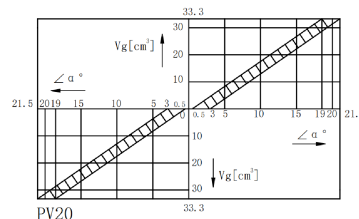
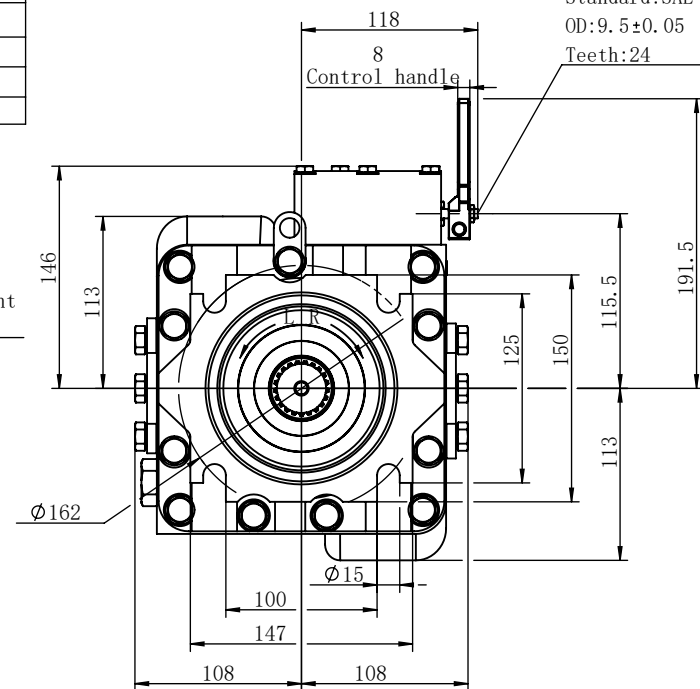
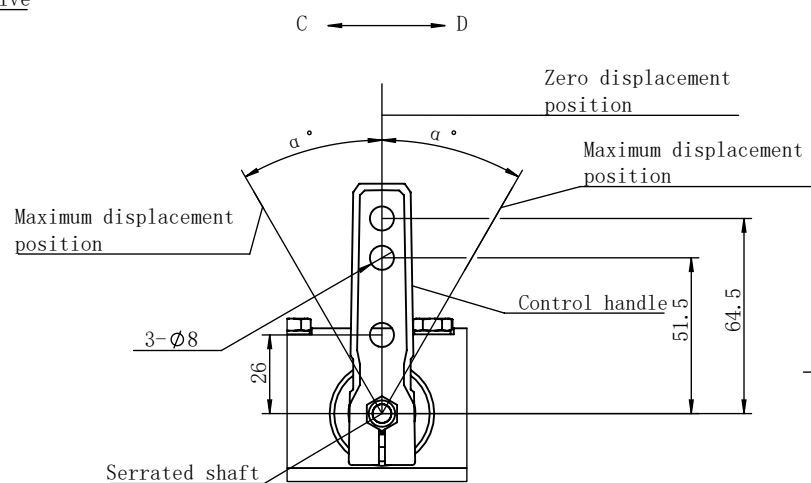


PV20-MA-R-21

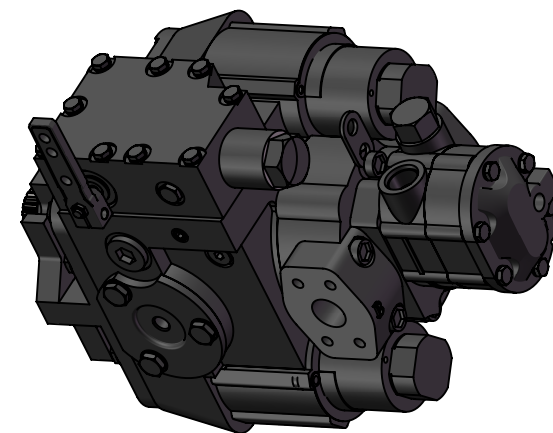


Pump rotation direction	Control handle Rotation direction	Pressure port Outbound	Pressure port enter
Clockwise (R)	C	A	B
	D	B	A
Counterclockwise (L)	C	B	A
	D	A	B

Control handle spline shaft data:  
 1/4-20 UNC-2A  
 Diametrical pitch: 64/128  
 Radial angle variable: 64  
 Standard: SAE 1963  
 OD: 9.5±0.05  
 Teeth: 24



EP	Electric Proportional servo control	
HS	Hydraulic servo control	



technical requirement	
Minimum speed	500r/min
maximum speed	3500r/min
Rated working pressure	30Mpa
Maximum working pressure	42Mpa

Propeller shaft spline				Conical axis		Displacement	Oil suction pressure	Oil suction displacement	Ports A、B	Ports L1、L2	Port S	Port M
Teeth	Z	14	21	Lock nut	1-20 UNEF-2B wrench: 38	33.4 ml/r	1.5-1.8 Mpa	16	3/8-16 UNC-2B Depth: 25mm		7/8-14 UNF-2B	7/16-20 UNF-2B
Radial pitch	M	12/24	16/32						A6 mm[in]	A7 mm[in]		
Pressure angle	a	30°	30°						52.4	26.2		
Dividing circle diameter	D	Ø29.63	Ø33.34									



Product model	PV20-MA-R-21	
Product name	Closed axial piston pump	
Date	Weight (kg)	Proportion
	45	1:5
Shangdong Highland Hydraulic Seiko Co., Ltd		